

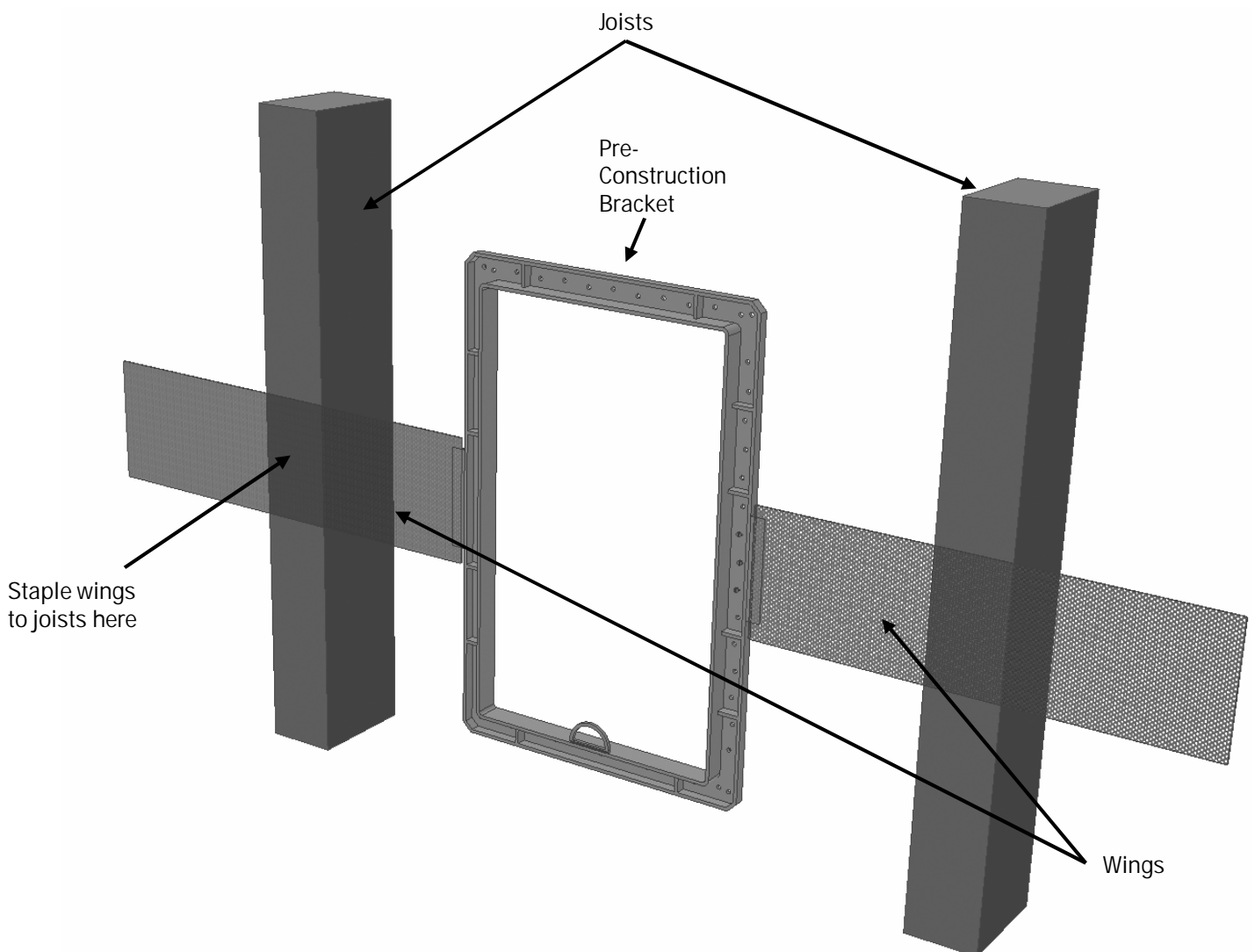
Custom Installation Product

Series 100 Series 200 Series 300

Pre-Construction Bracket Installation Instructions.

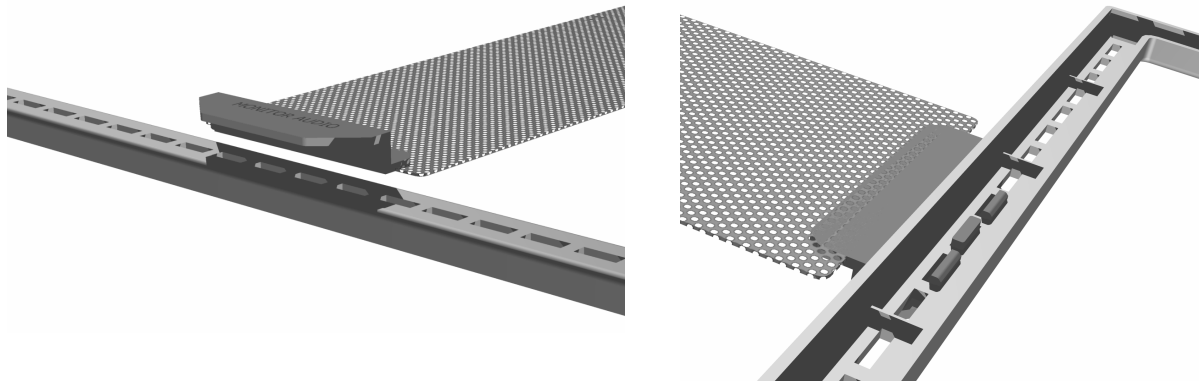
The following product is meant solely for the purpose described and the installation should be carried out by qualified personnel only.

The Monitor Audio pre-construction brackets are designed with the professional installers in mind. They will provide a quick and easy way of locating the desired position of Monitor Audio Series 100, 200, 300 Custom Installation loudspeakers.

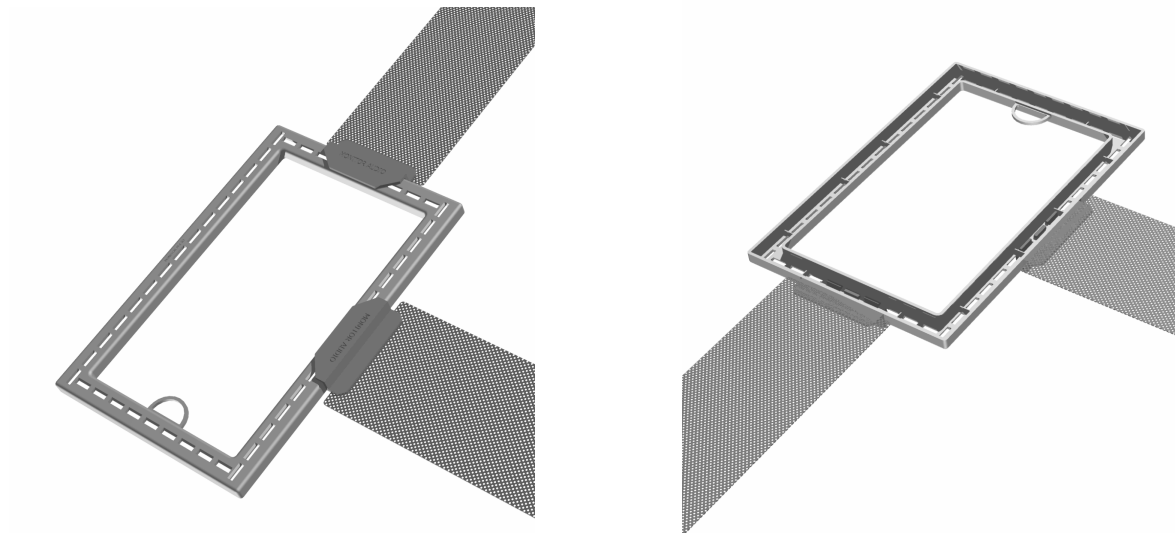


Preconstruction Bracket installations steps:

1. Decide location of speaker (s).
2. Clip fixing wings into place in convenient location around the polymer frame to suit the joists.
NOTE: Ensure the clips of the wings are fixed securely. There should be no gap around the outside of the wing where it joins the bracket. If there is a gap, this is a sure sign one of the clips is not in correctly.



Alternative fixing arrangements are possible.



3. Staple fixing wings to joists. Ensure the Monitor Audio and colour text on the wings face away from you when fastening.
4. Cable tie/ zip tie the speaker cable to the loop provided inside the moulding. This loop snaps off when installing speaker.
5. Fix plaster board/ dry wall.
6. Cut hole around the pre-construction bracket.